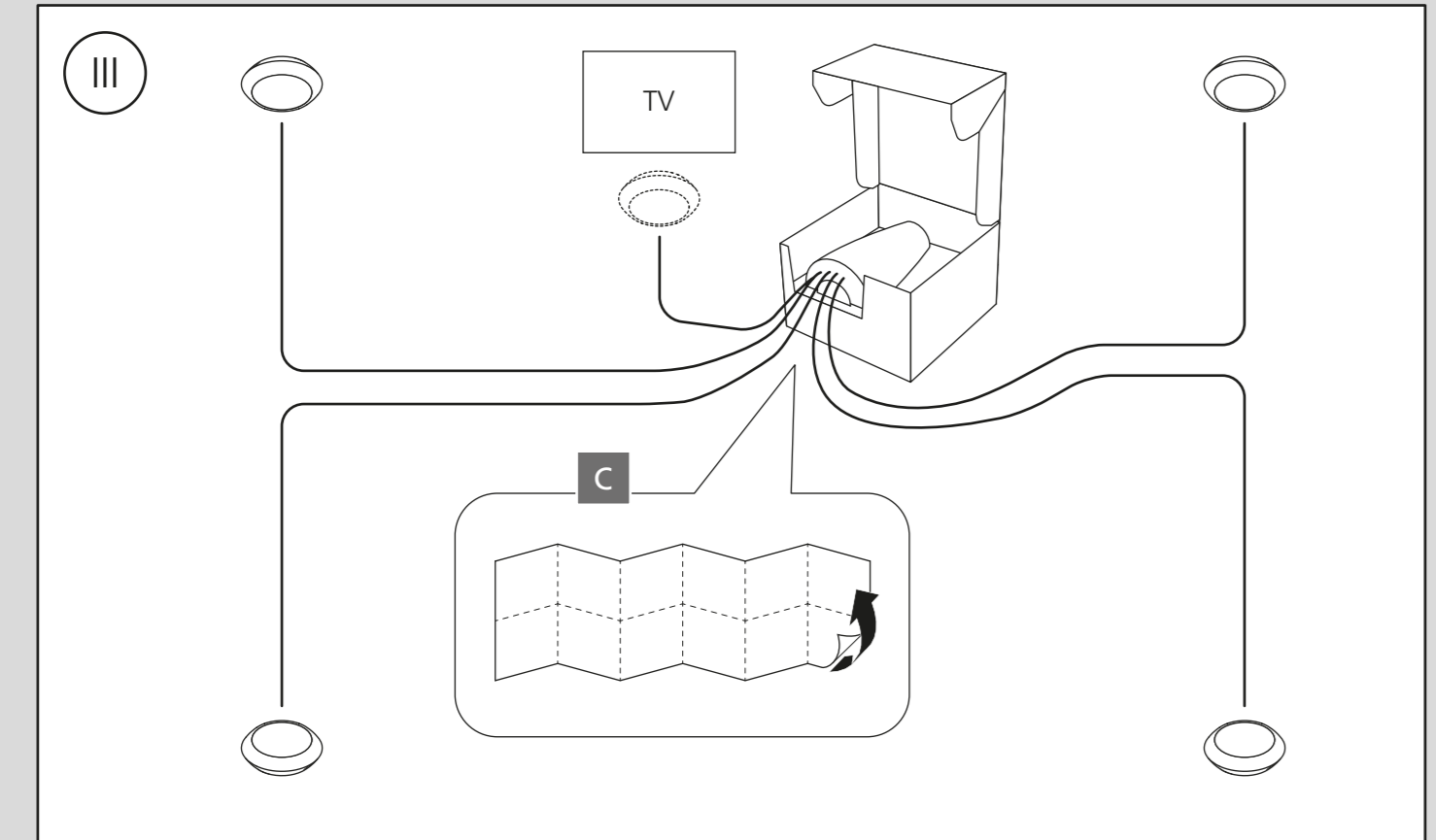
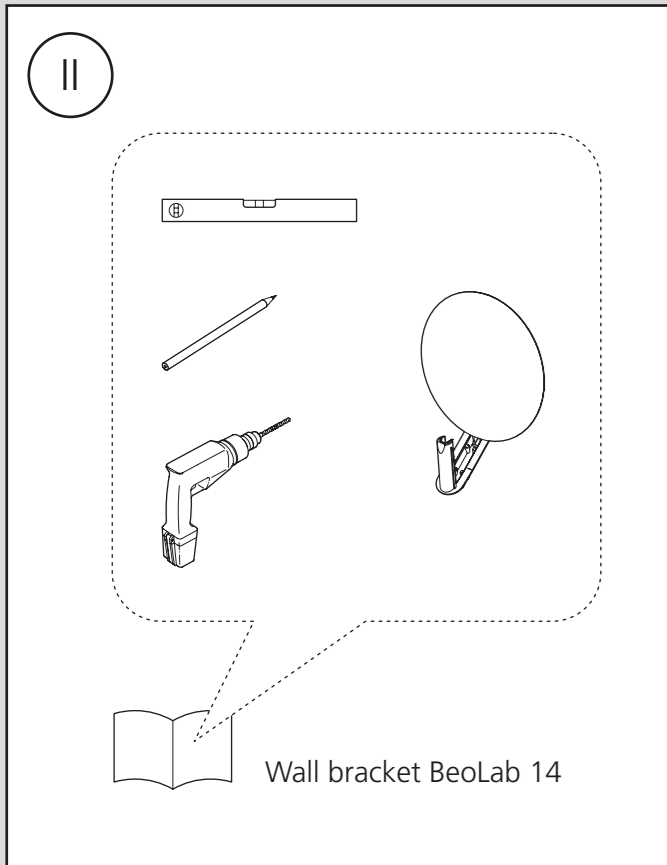
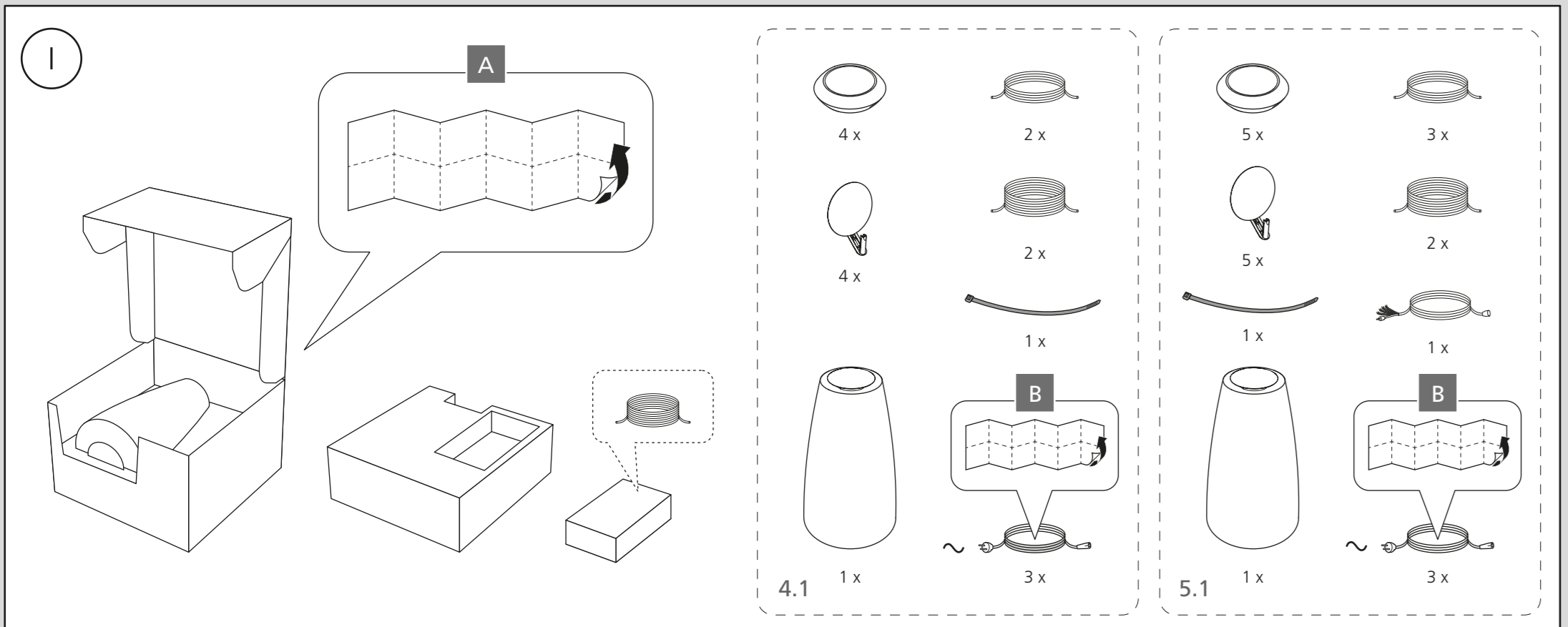


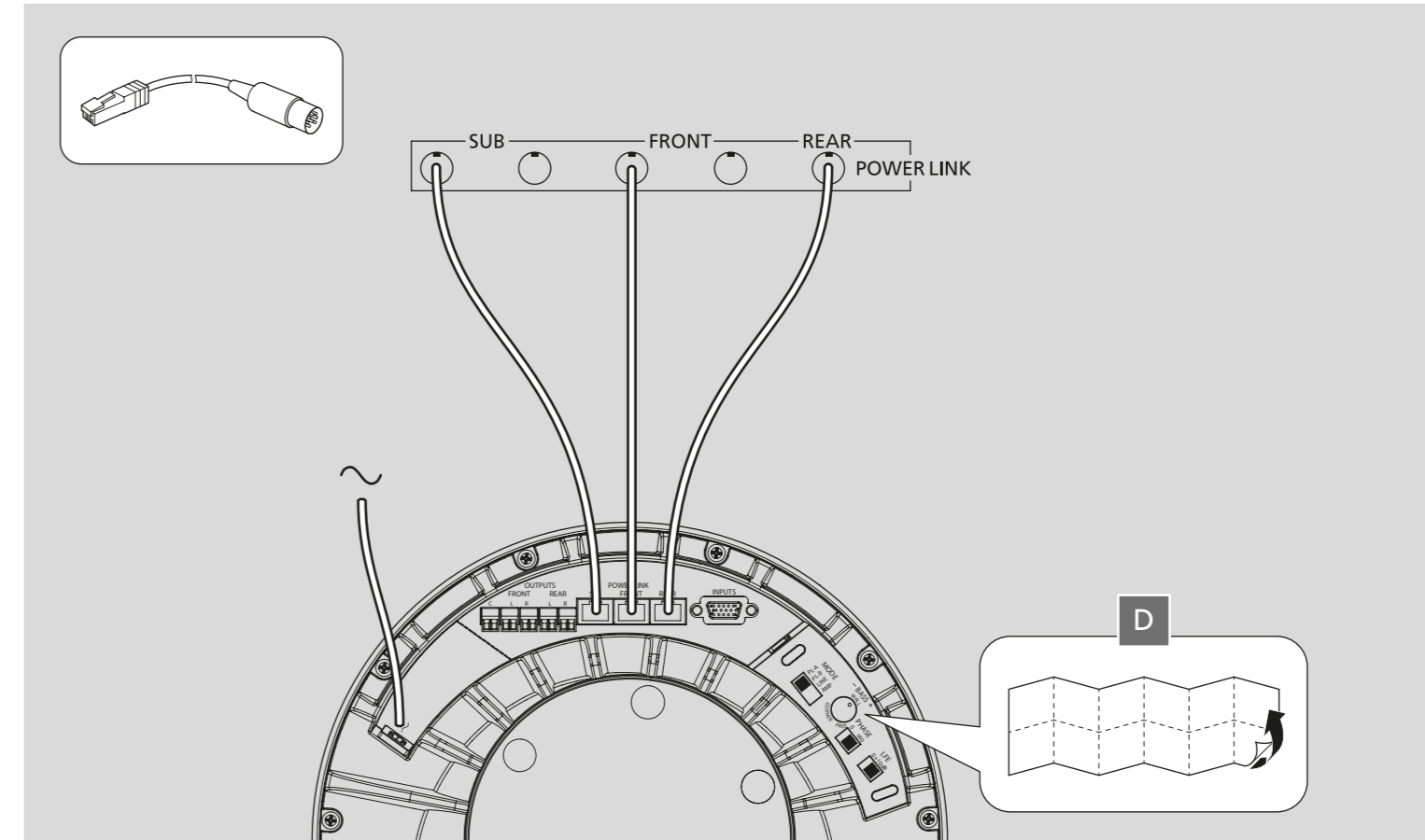
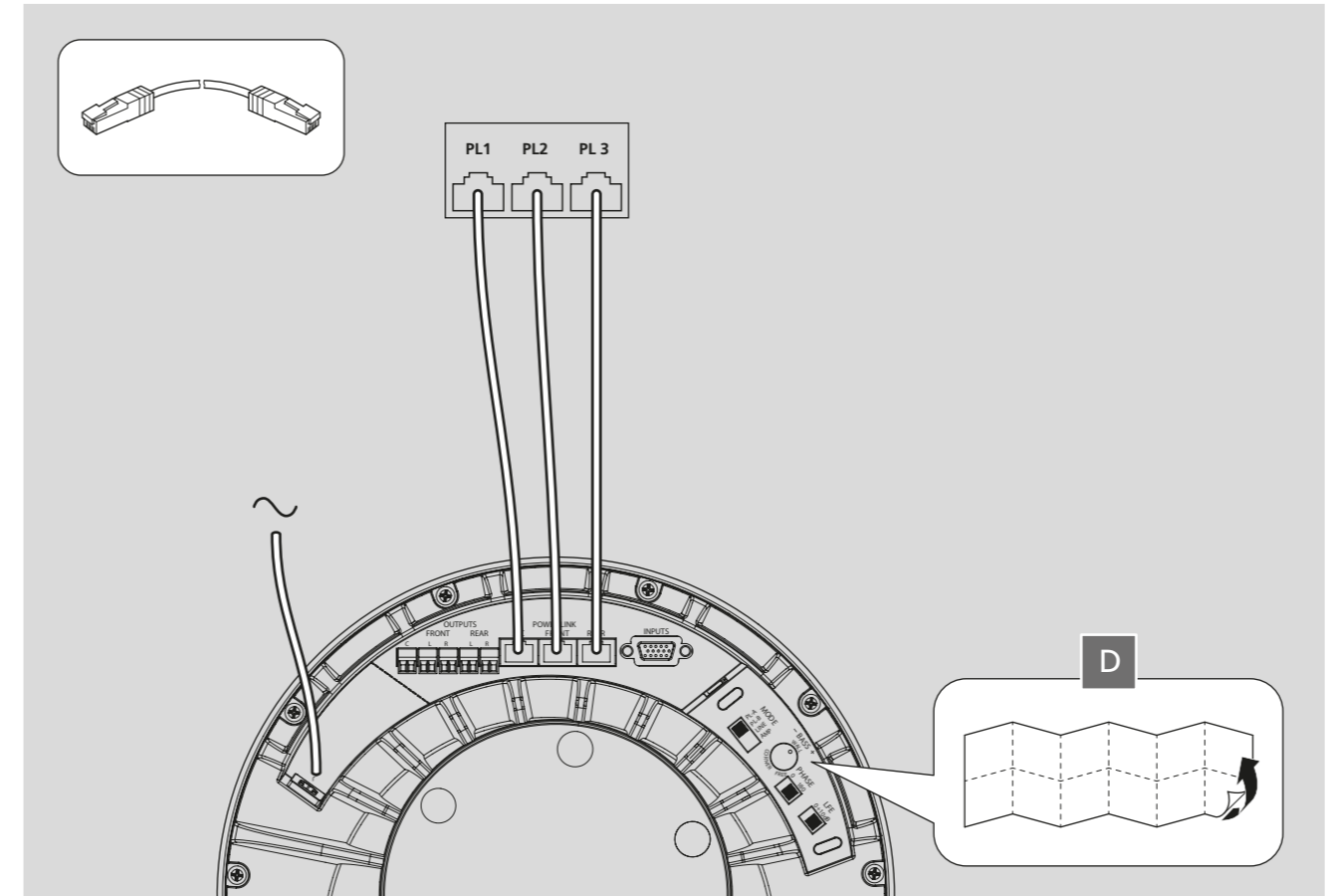
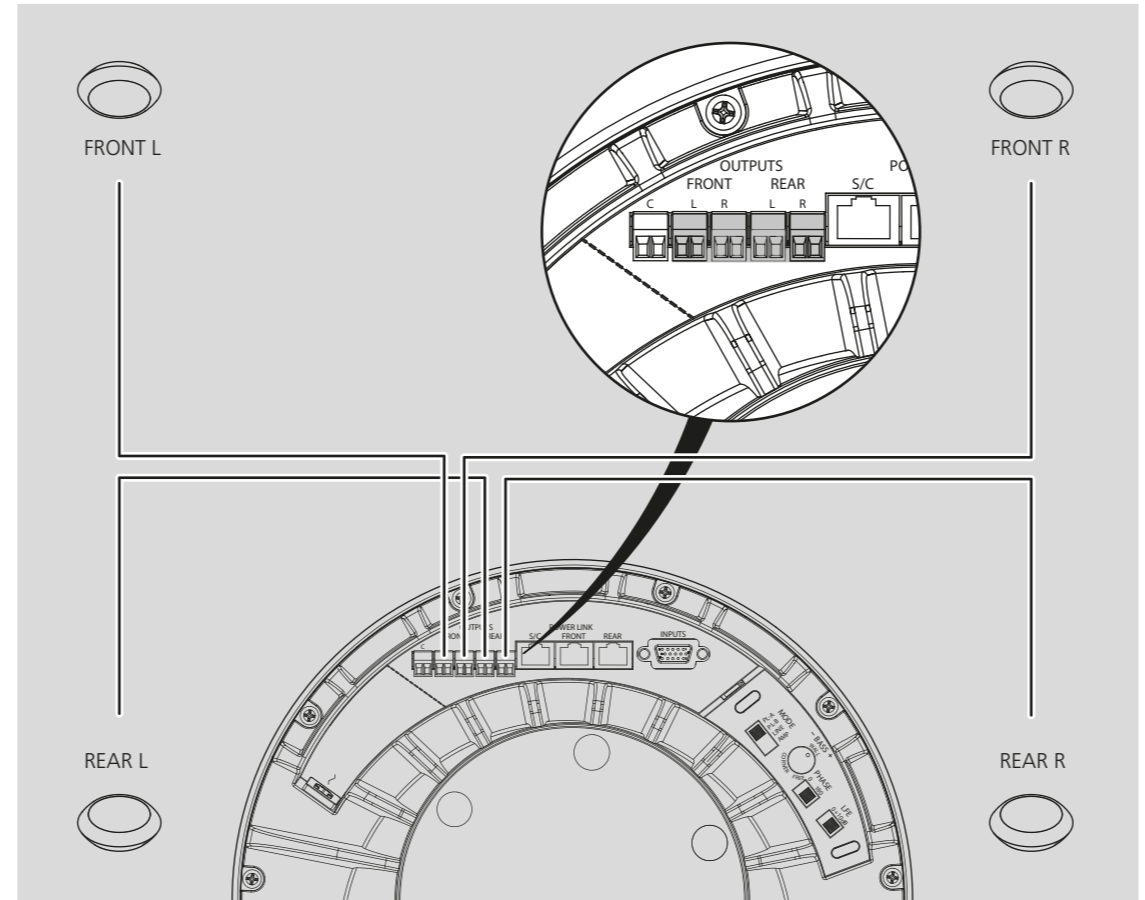
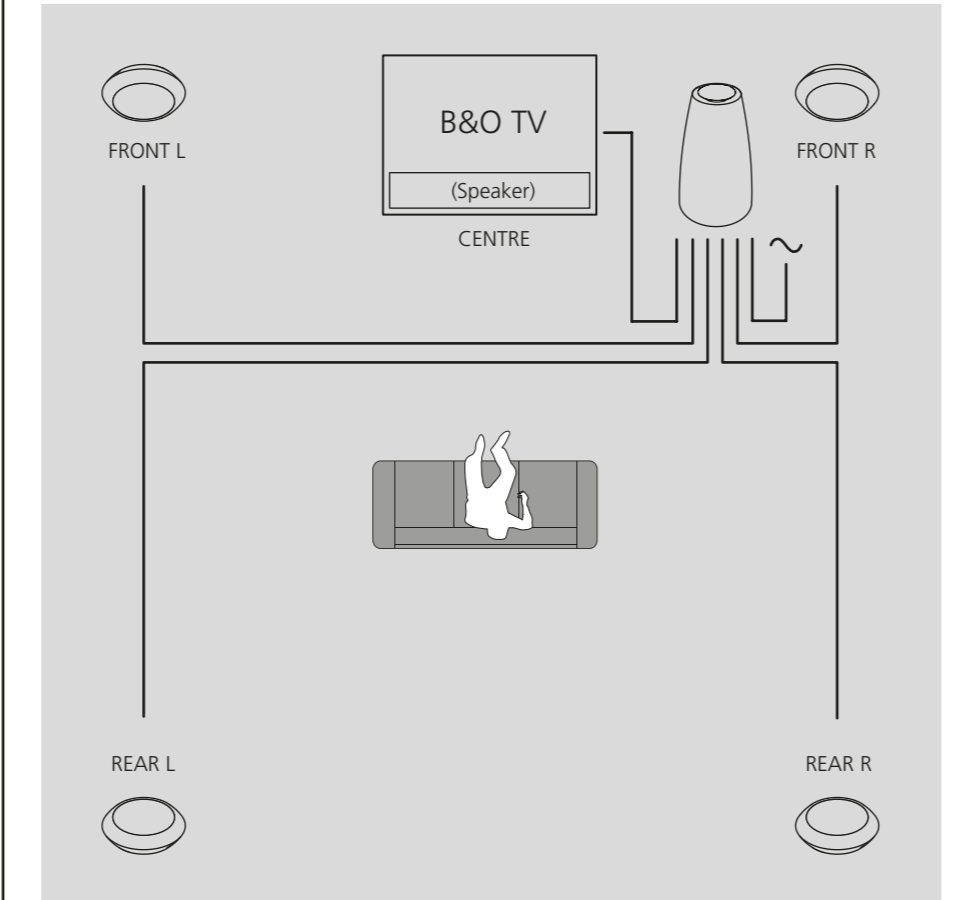
BANG & OLUFSEN

1

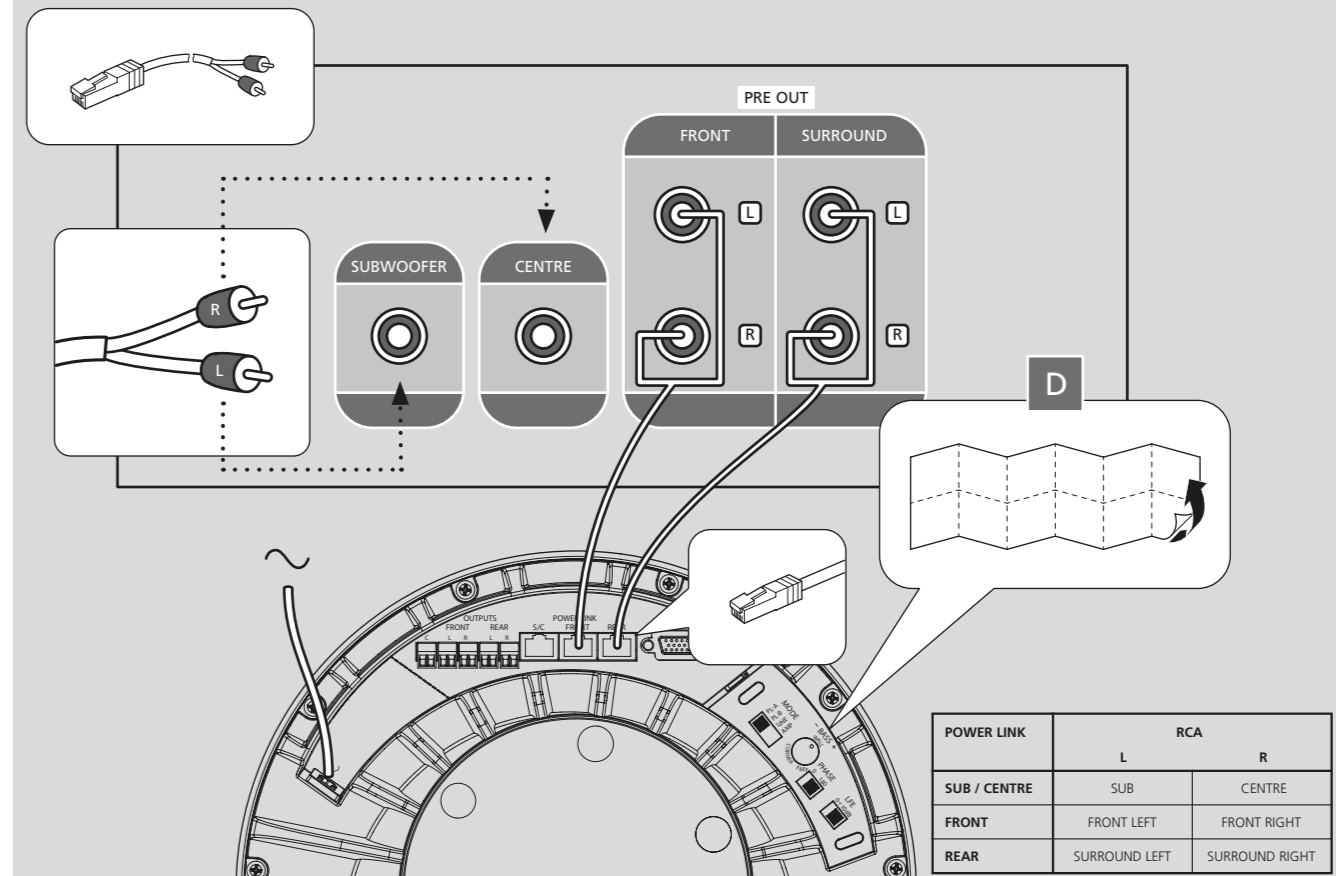
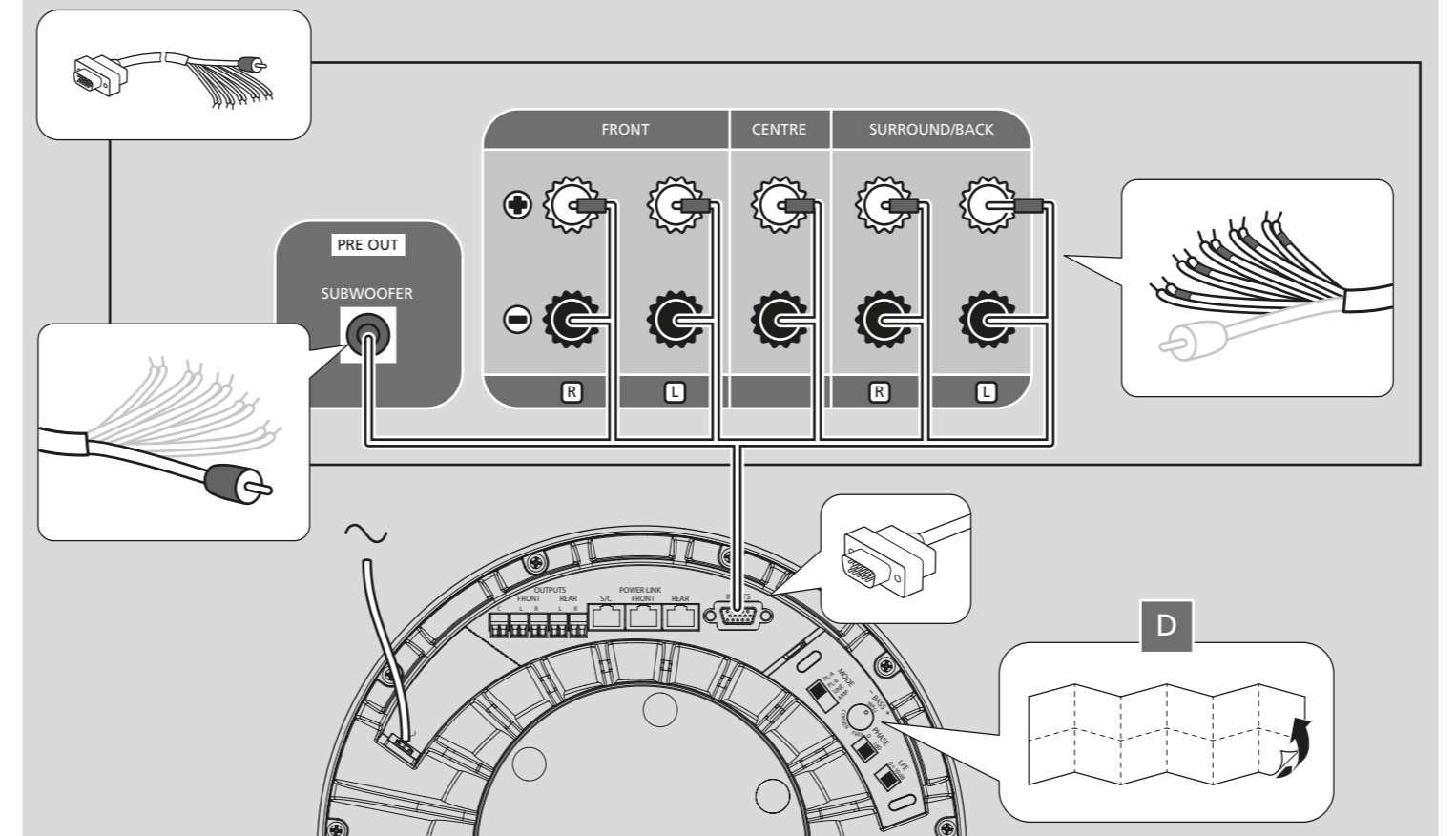
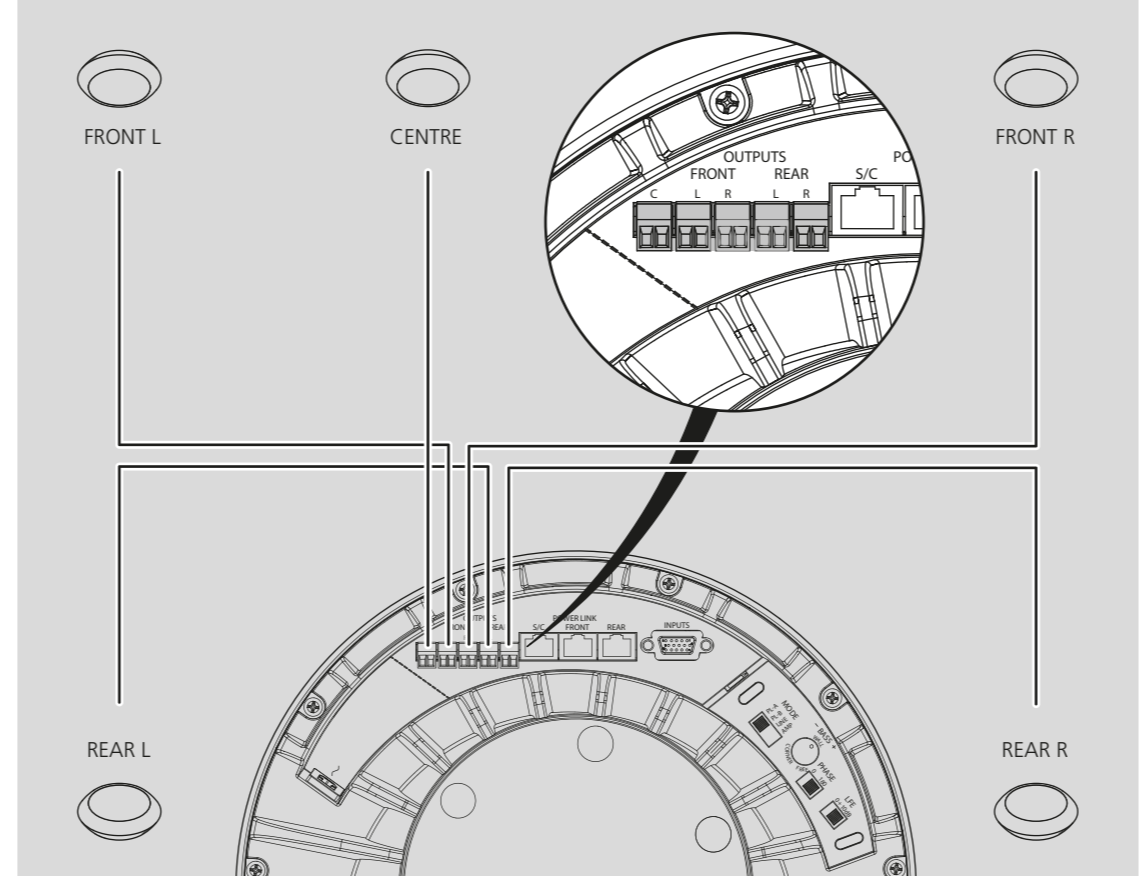
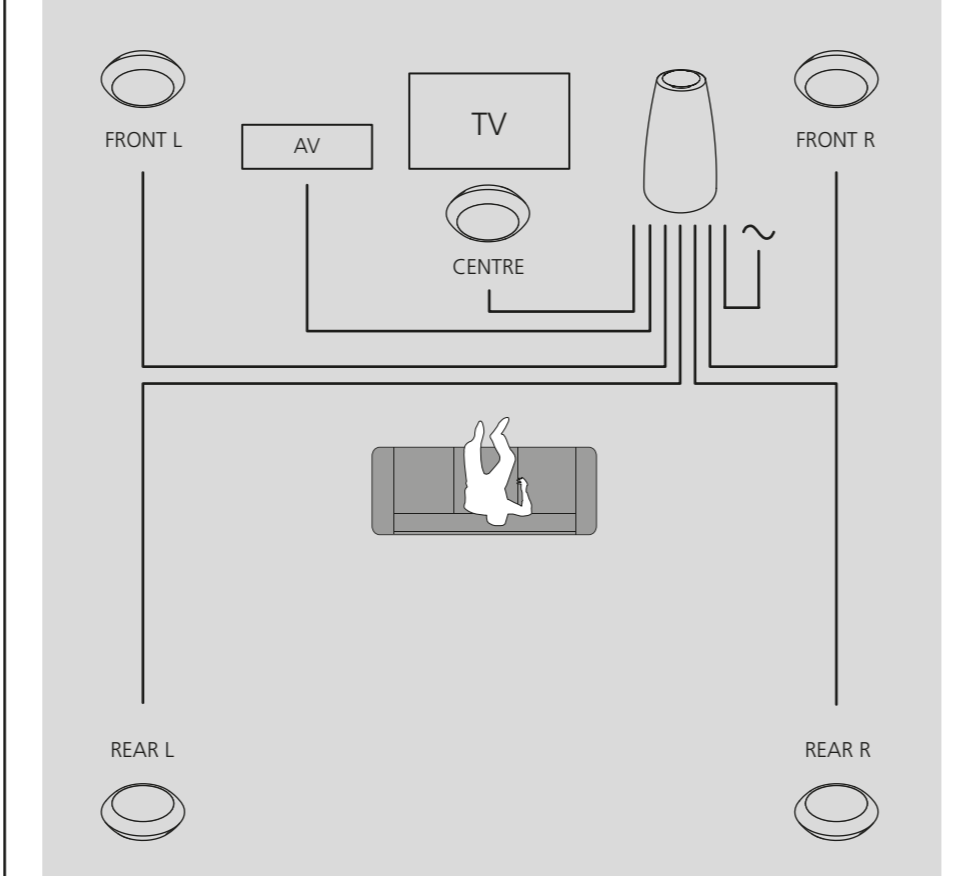


2

BANG & OLUFSEN
4+1

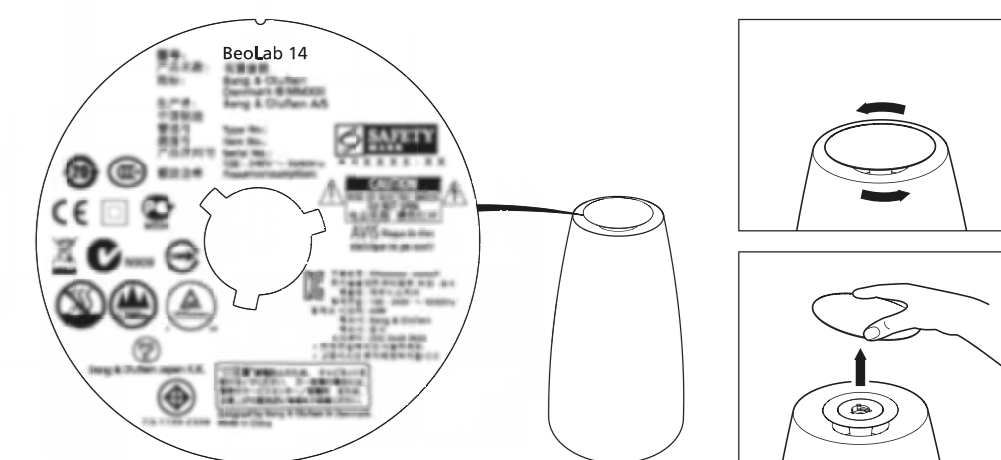
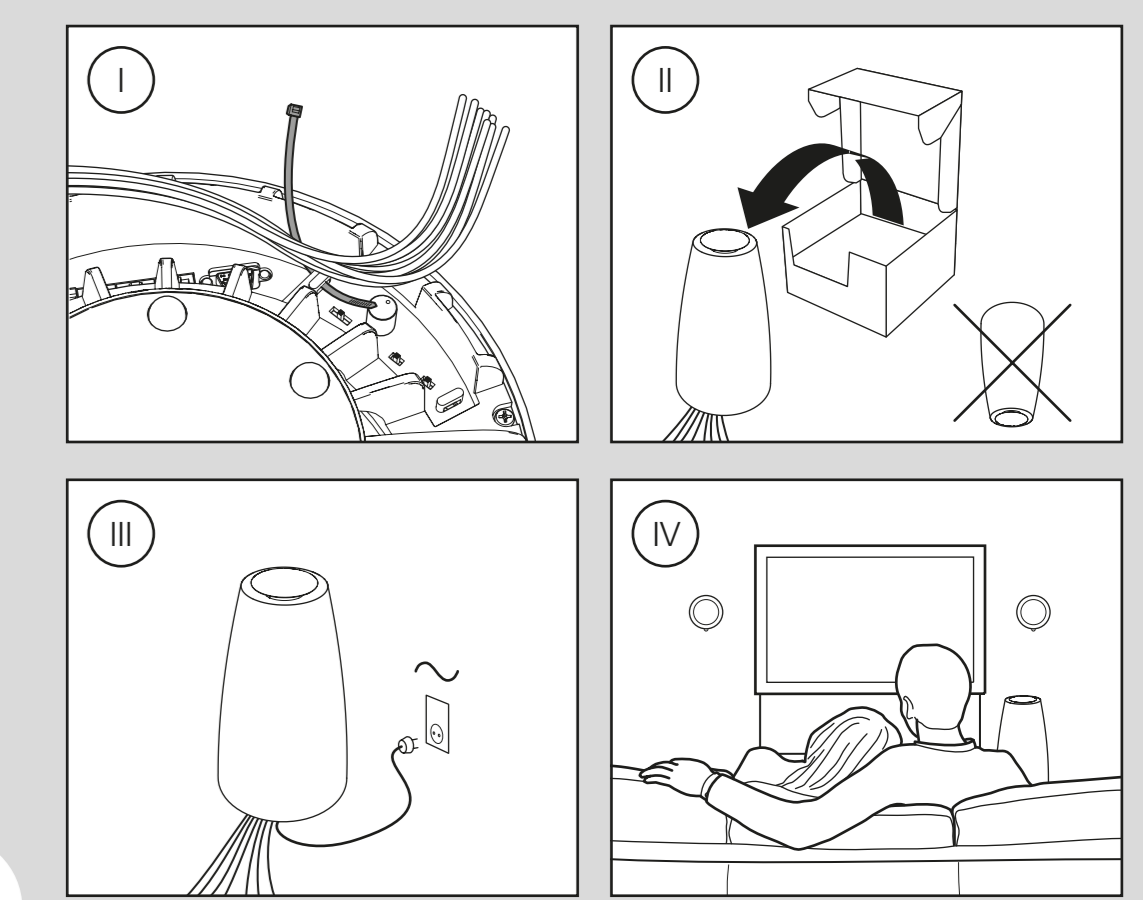


NON-BANG & OLUFSEN
5+1



POWER LINK	L	RCA	R
SUB / CENTRE	SUB		CENTRE
FRONT	FRONT LEFT		FRONT RIGHT
REAR	SURROUND LEFT		SURROUND RIGHT

3



4



Quick guide
Beolab 14

Important information

Read these instructions. Keep these instructions. Heed all warnings. Follow all instructions. Do not use this apparatus near water. Do not block any ventilation openings. Install in accordance with the manufacturer's instructions. Do not install near any heat sources such as radiators, heat registers, stoves, or other apparatus (including amplifiers) that produce heat. Do not defeat the safety purpose of the polarized or grounding-type plug. A polarized plug has two blades with one wider than the other. The wide blade or the third prong are provided for your safety. If the provided plug does not fit into your outlet, consult an electrician for replacement of the obsolete outlet. Protect the power cord from being walked on or pinched particularly at plugs, convenience receptacles, and the point where they exit from the apparatus. Only use attachments/accessories specified by the manufacturer.

Use only with the cart, stand, tripod, bracket, or table specified by the manufacturer, or sold with the apparatus. When a cart is used, use caution when moving the cart/apparatus combination to avoid injury from tip-over.

Unplug this apparatus during lightning storms or when unused for long periods of time.

Refer all servicing to qualified service personnel. Servicing is required when the apparatus has been damaged in any way, such as power-supply cord or plug is damaged, liquid has been spilled or objects have fallen into the apparatus, the apparatus has been exposed to rain or moisture, does not operate normally, or has been dropped.

WARNING: To reduce the risk of fire or electric shock, do not expose this appliance to rain or moisture. Do not expose this equipment to dripping or splashing and ensure that no objects filled with liquids, such as vases, are placed on the equipment.

The product can only be switched off completely by disconnecting it from the mains socket. The mains socket must always be accessible. No naked flame sources, such as lit candles should be placed on the apparatus. Follow the instructions to ensure correct and safe installation and interconnection of equipment in multimedia systems. Make sure the cable connection between the product and the router does not exit the building to avoid contact with high voltage.

The lightning flash with arrowhead symbol within an equilateral triangle, is intended to alert the user to the presence of an insulated "dangerous voltage" within the product's enclosure that may be of sufficient magnitude to constitute a risk of electric shock to persons.

The exclamation point within an equilateral triangle is intended to alert the user to the presence of important operating and maintenance (servicing) instructions in the literature accompanying the product.

Leave enough space around the product for adequate ventilation. Do not install the product in a confined space, such as a book case or similar unit.

CAUTION
RISK OF ELECTRIC SHOCK
DO NOT OPEN

CAUTION: To reduce the risk of electric shock, do not remove cover (or back). No User-serviceable parts inside. Refer servicing to qualified service personnel.

This device complies with part 15 of the FCC Rules. Operation is subject to the following two conditions: (1) This device may not cause harmful interference, and (2) this device must accept any interference received, including interference that may cause undesired operation. Note: This equipment has been tested and found to comply with the limits for a Class B digital device, pursuant to part 15 of the FCC Rules. These limits are designed to provide reasonable protection against harmful interference in a residential installation. This equipment generates, uses and can radiate radio frequency energy and, if not installed and used in accordance with the instructions, may cause harmful interference to radio communications. However, there is no guarantee that interference will not occur in a particular installation. If this equipment does cause harmful interference to radio or television reception, which can be determined by turning the equipment off and on, the user is encouraged to try to correct the interference by one or more of the following measures:

- Reorient or relocate the receiving antenna.
- Increase the separation between the equipment and receiver.
- Connect the equipment into an outlet on a circuit different from that to which the receiver is connected.
- Consult the dealer or an experienced radio/TV technician for help.

Intended for indoor use only



Management Methods for Controlling Pollution by Electronic Information Products

Component name	hazardous substance						
	Lead Pb	Mercury Hg	Cadmium Cd	Chromium VI Cr(VI)	Polybrominated Biphenyls PBB	Polybrominated Diphenyl Ether PBDE	Other
Satellite Front ring	X	0	0	0	0	0	0
Satellite Back cover	X	0	0	0	0	0	0
Control unit in subwoofer	X	0	0	0	0	0	0
Speaker	X	0	0	0	0	0	0
PCBA	X	0	0	0	0	0	0

○: indicate all homogeneous materials' hazardous substances content are below the 0.1% (1000ppm) (MCM) limit.
 ×: indicates that the hazardous substance content contained in any one of the homogeneous materials of the part exceeded the MCMV limits specified in the Standard SJ/T 11363-2006

仅适用于海拔2000m以下地区安全使用。

仅适用于非热带气候条件下安全使用。如果在热带地区使用，房间内必须有空调。

A EN Decide where to place satellites and subwoofer before unpacking the box. Leave the subwoofer in the box while connecting cables.

DA Beslut dig for, hvor du vil placere satellithøjttalerne og subwooferen, før du åbner kassen. Lad subwooferen blive i kassen, mens du tilslutter kablerne.

FR Déterminez où vous souhaitez positionner les satellites et le subwoofer avant de déballez le carton. Laissez le subwoofer dans le carton pendant que vous raccordez les câbles.

DE Wählen Sie einen Standort für die Satelliten und den Subwoofer, bevor Sie die Kiste auspacken. Lassen Sie den Subwoofer in der Kiste, während Sie die Kabel anschließen.

ES Determine la ubicación de los satélites y el subwoofer antes de desembalar los altavoces. No extraiga el subwoofer de la caja hasta que haya conectado todos los cables.

IT Decidere dove posizionare i satelliti e il subwoofer prima di disimballarli. Lasciare il subwoofer nell'imballaggio durante il collegamento dei cavi.

NL Beslis waar u de satellieten en de subwoofer wilt plaatsen vooraleer ze uit de doos te halen. Laat de subwoofer in de doos zitten terwijl u de kabels aansluit.

JA 開梱前に、サテライトおよびサブウーファアの置き場所を決めておきます。ケーブル接続時はサブウーファアを箱に入れたままにしておきます。

RU Перед раскопкой коробки определитесь, где будут размещены спутниковые колонки и сабвуфер. Оставьте сабвуфер в коробке, пока вы не подключите кабели.

KO 상자 포장을 풀기 전에 위성 스피커 및 서브우퍼를 어디에 놓을지 결정하십시오. 케이블을 연결하는 동안 상자에서 서브우퍼를 꺼내지 마십시오.

ZH 在打开包装盒之前，要决定好放置卫星和超重低音扬声器的位置。在连接线缆的时候，要将超重低音扬声器留在包装盒内。

ZHTRTW 打開包裝盒前，請決定放置衛星揚聲器與超重低音揚聲器的位置。連接線纜時請將超重低音揚聲器放置於盒中。

B EN The box may contain several mains cords. You only need one mains cord for your setup.

DA Kassen indeholder muligvis flere netledninger. Du behøver kun én netledning til din opsætning.

FR Le carton peut contenir plusieurs câbles secteur. Vous n'avez besoin que d'un seul pour réaliser votre installation.

DE Die Kiste enthält möglicherweise mehrere Netzkabel. Sie benötigen für Ihr Setup nur ein Netzkabel.

ES Puede que la caja contenga varios cables de alimentación. La instalación requiere sólo uno.

IT L'imballaggio può contenere diversi cavi dell'alimentazione. Per la configurazione è necessario solo un cavo dell'alimentazione.

NL De doos bevat mogelijk meerdere netsnoeren. U hebt slechts één netsnoer nodig voor uw setup.

JA 箱には電源コードが複数同梱されている場合があります。セットアップには電源コード1本のみを使用します。

RU В коробке может находиться несколько сетевых шнуров. Для вашей системы нужен только один сетевой шнур.

KO 전원 코드 여러 개가 상자에 들어 있더라도 설치에 필요한 전원 코드는 하나뿐입니다.

ZH 包装盒中可能装有多条电源线。您仅需使用一条电源线来连接系统。

ZHTRTW 包装盒內有數條主電源線。安裝時您只需要一條主電源線。

C EN When placement of satellites and subwoofer is determined, run cables from each satellite to the subwoofer.

DA Når du har besluttet, hvor satellithøjttalerne og subwooferen skal stå, kan du trække kabler fra de enkelte højttalere til subwooferen.

FR Lorsque vous avez décidé de l'endroit où vous allez positionner les satellites et le subwoofer, achetez les câbles de chaque satellite au subwoofer.

DE Wenn Sie sich für einen Standort für die Satelliten und den Subwoofer entschieden haben, verlegen Sie Kabel von jedem Satelliten zu dem Subwoofer.

ES Una vez determinada la ubicación de los satélites y el subwoofer, disponga los cables entre cada uno de los satélites y el subwoofer.

IT Dopo aver determinato il posizionamento dei satelliti e del subwoofer, collegare ciascun satellite al subwoofer con i cavi.

NL Wanneer de plaatsing van de satellieten en de subwoofer vast staat, verleg dan de kabels vanaf elke satelliet naar de subwoofer.

JA サテライトおよびサブウーファアの置き場所が決定したら、各サテライトからサブウーファアへケーブルを引きます。

RU После определения места размещения спутниковых колонок и сабвуфера проведите кабели от каждой спутниковой колонки к сабвуферу.

KO 위성 스피커 및 서브우퍼를 놓은 다음, 각 위성 스피커에서 서브우퍼까지 케이블을 배선하십시오.

ZH 在确定卫星和超重低音扬声器的位置后，从每个卫星向超重低音扬声器布线。

ZHTRTW 決定好衛星揚聲器和超重低音揚聲器的位置之後，將各衛星揚聲器的導線連接至超重低音揚聲器。

MODE	BANG & OLUFSEN		NON-BANG & OLUFSEN	
LFE				
SPEAKER TYPE SETUP IN TV/RECEIVER	SPEAKER TYPE PL 1 LEFT: BEOLAB 14 SUB PL 1 RIGHT: BEOLAB 14 PL 2 LEFT: BEOLAB 14 PL 2 RIGHT: BEOLAB 14 PL 3 LEFT: BEOLAB 14 PL 3 RIGHT: BEOLAB 14		LEFT FRONT: BEOLAB 5 LEFT REAR: BEOLAB 5 RIGHT REAR: BEOLAB 5 SUBWOOFER: YES	FRONT: BEOLAB 5 REARS: BEOLAB 5 CENTRE: BEOLAB 5 SUBWOOFER: YES
SPEAKER ROLE	TV AS CENTRE TV CENTRE FRONT BEOLAB14 SUB SUBWOOFER BEOLAB14 NONE BEOLAB14 LEFT FRONT BEOLAB14 RIGHT FRONT BEOLAB14 LEFT SURROUND BEOLAB14 RIGHT SURROUND			

- BASS +

MODE WALL PHASE LFE

PL-A PL-B LINE AMP 0 180 0 +10dB

COUNTER FREQ